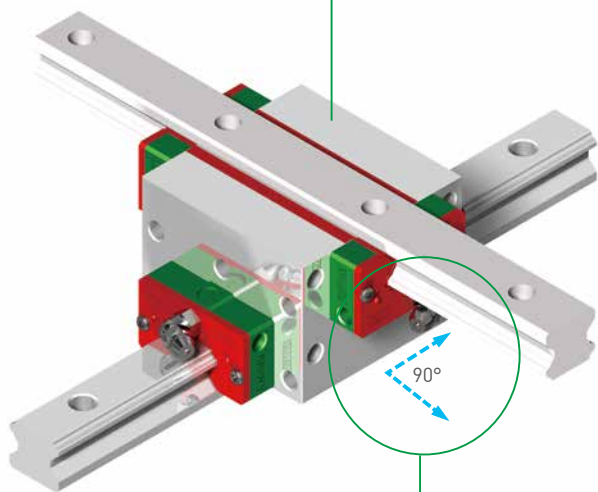


LINEAR GUIDEWAY
AG Series



Angle Linear Guideway

Product Features /

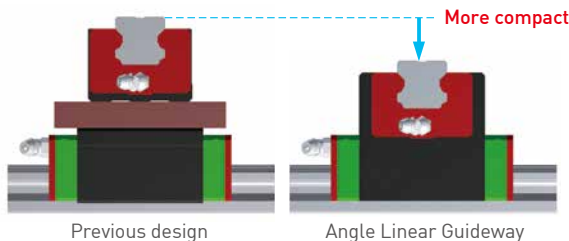


- **High positional accuracy**

- Two rails are machined with high precision in relative straightness. Extremely high accuracy in orthogonality is achieved.

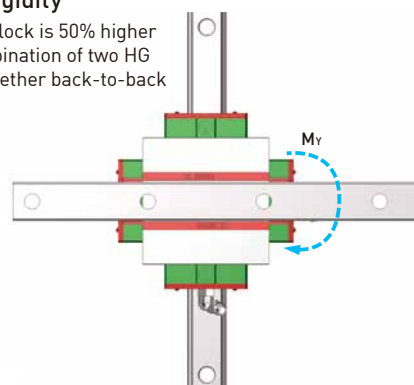
- **More compact design**

- Eliminates fastener plate for saving equipment weight and increasing work space.



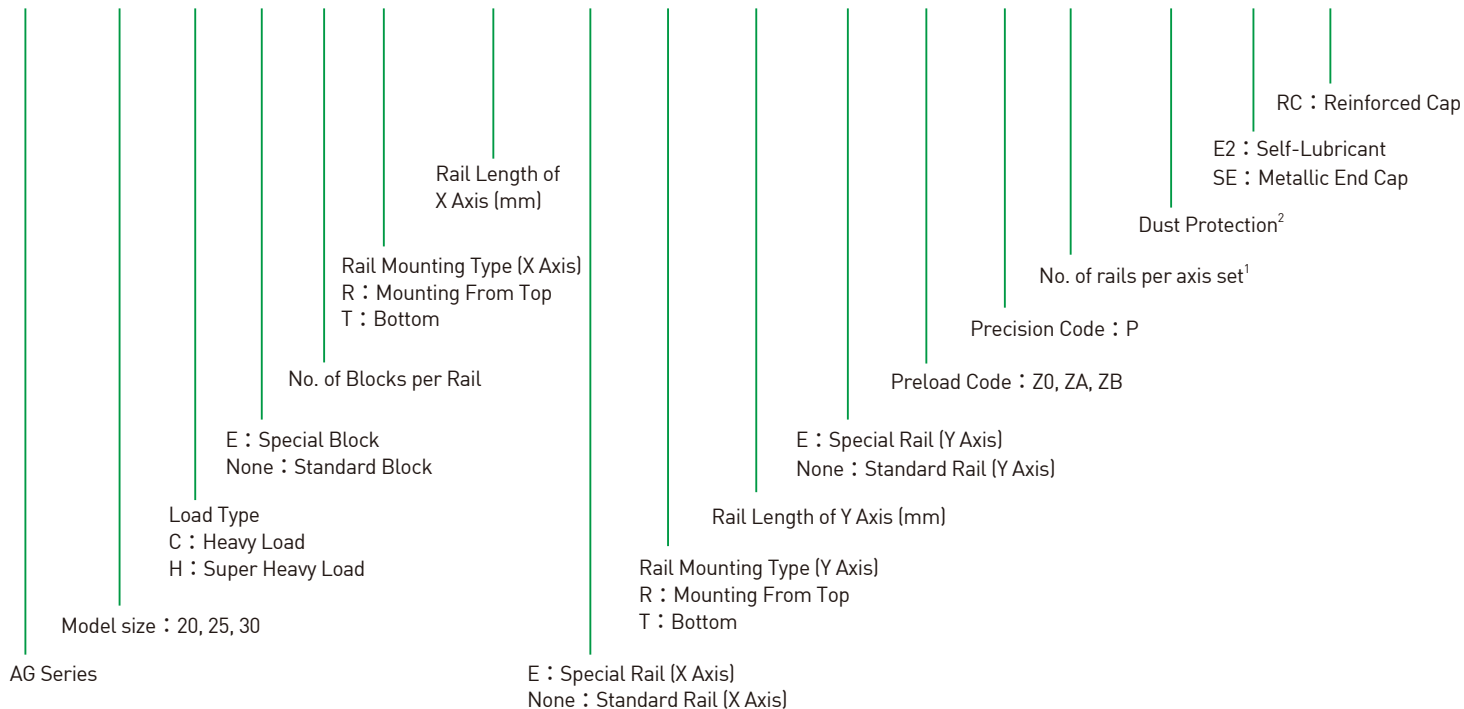
- **High torsional rigidity**

- The rigidity of AG block is 50% higher than that of a combination of two HG blocks secured together back-to-back with bolts.



Model Number /

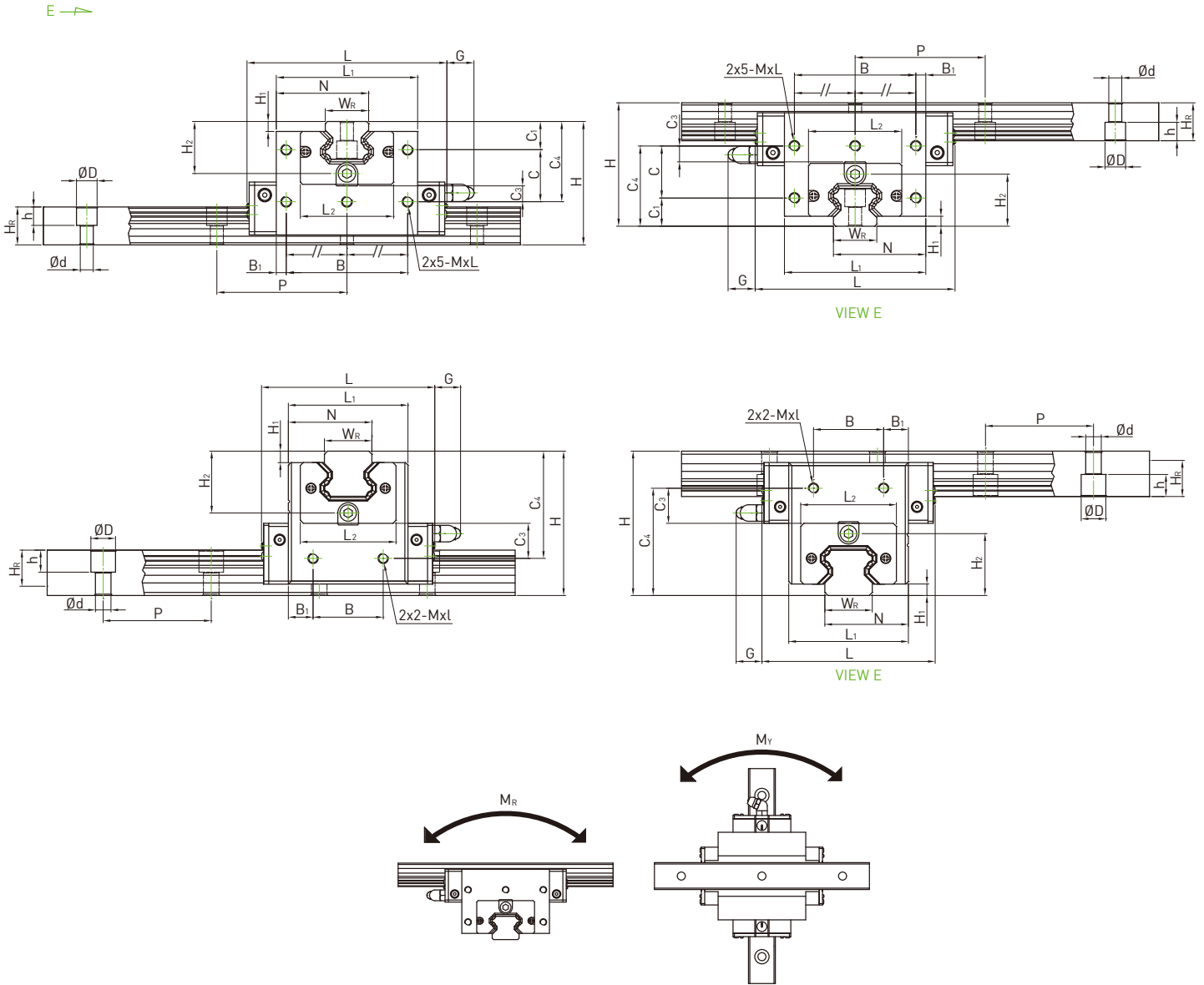
AG 25 H E 2 R 1000 E / R 500 E Z0 P II + DD/E2/RC



Note :

1. The roman numerals express a matched set of rails.
2. No symbol indicates standard protection(end seal and bottom seal).

Dimensions for AG-series



| Model No. | Dimensions of Assembly (mm) | | | Dimensions of Block (mm) | | | | | | | | | | Dimensions of Rail (mm) | | | | | | Basic Dynamic Load Rating | Basic Static Load Rating | Static Rated Moment | | | |
|-----------|-----------------------------|----------------|------|--------------------------|----------------|----------------|----|----------------|----|----------------|----------------|----------------|---------|-------------------------|----|----------------|----------------|-----|-----|---------------------------|--------------------------|---------------------|-------|--------|---------------------|
| | H | H ₁ | N | L | L ₁ | L ₂ | B | B ₁ | C | C ₁ | C ₃ | C ₄ | M x l | H ₂ | G | W _R | H _R | D | h | | | d | P | C [kN] | C ₀ [kN] |
| AG20H | 57 | 4.6 | 42.6 | 92.2 | 65.2 | 43 | 56 | 4.6 | 24 | 13 | 7.2 | 37 | M5x8 | 24 | 12 | 20 | 17.5 | 9.5 | 8.5 | 6 | 60 | 32.7 | 47.96 | 0.35 | 0.35 |
| AG25C | 70 | 5.5 | 40.5 | 84 | 58 | 46.4 | 34 | 12 | - | - | 16.2 | 52 | M6 x 10 | 30 | 12 | 23 | 22 | 11 | 9 | 7 | 60 | 34.9 | 52.82 | 0.42 | 0.33 |
| AG25H | | | 50.8 | 104.6 | 78.6 | | 64 | 7.3 | 26 | 18 | 8.2 | 44 | | | | | | | | | | 42.2 | 69.07 | 0.56 | 0.57 |
| AG30C | 82 | 6 | 49 | 97.4 | 70 | 58 | 40 | 15 | - | - | 19.2 | 61 | M6 X 10 | 58 | 12 | 28 | 26 | 14 | 12 | 9 | 80 | 48.5 | 71.87 | 0.66 | 0.53 |
| AG30H | | | 60.5 | 120.4 | 93 | | 76 | 8.5 | 32 | 21 | 11.2 | 53 | | | | | | | | | | 58.6 | 93.99 | 0.88 | 0.92 |

Global Sales And Customer Service Site

HIWIN GmbH

OFFENBURG, GERMANY
www.hiwin.de
www.hiwin.eu
info@hiwin.de

HIWIN Schweiz GmbH

JONA, SWITZERLAND
www.hiwin.ch
info@hiwin.ch

HIWIN KOREA

SUWON • CHANGWON, KOREA
www.hiwin.kr
info@hiwin.kr

HIWIN JAPAN

KOBE • TOKYO • NAGOYA • NAGANO •
TOHOKU • SHIZUOKA • HOKURIKU •
HIROSHIMA • FUKUOKA • KUMAMOTO,
JAPAN
www.hiwin.co.jp
info@hiwin.co.jp

HIWIN s.r.o.

BRNO, CZECH REPUBLIC
www.hiwin.cz
info@hiwin.cz

HIWIN CHINA

SUZHOU, CHINA
www.hiwin.cn
info@hiwin.cn

HIWIN USA

CHICAGO, U.S.A.
www.hiwin.com
info@hiwin.com

HIWIN FRANCE

STRASBOURG, FRANCE
www.hiwin.fr
info@hiwin.de

Mega-Fabs Motion Systems, Ltd.

HAIFA, ISRAEL
www.mega-fabs.com
info@mega-fabs.com

HIWIN Srl

BRUGHERIO, ITALY
www.hiwin.it
info@hiwin.it

HIWIN SINGAPORE

SINGAPORE
www.hiwin.sg
info@hiwin.sg

HIWIN®

HIWIN TECHNOLOGIES CORP.

No. 7, Jingke Road,
Taichung Precision Machinery Park,
Taichung 40852, Taiwan
Tel: +886-4-23594510
Fax: +886-4-23594420
www.hiwin.tw
business@hiwin.tw

- HIWIN is a registered trademark of HIWIN Technologies Corp. For your protection, avoid buying counterfeit products from unknown sources.
- Actual products may differ from specifications and photos provided in this catalog. These differences may be the result of various factors including product improvements.
- HIWIN website for patented product directory: http://www.hiwin.tw/Products/Products_patents.aspx
- HIWIN will not sell or export products or processes restricted under the "Foreign Trade Act" or related regulations. Export of restricted products should be approved by proper authorities in accordance with relevant laws and shall not be used to manufacture or develop nuclear, biochemical, missiles or other weapons.

The specifications in this catalog are subject to change without notification.

Copyright © HIWIN Technologies Corp.

©2020 FORM G22DE03-2009 (PRINTED IN TAIWAN)